

# ALBA STANDARD GRAVITY ROLLER CONVEYOR

## Model No. 199SS

### WHEN ORDERING SPECIFY:

**199SS-XX-XX-XX-XX**

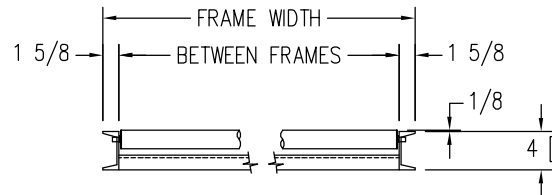
- BETWEEN FRAMES
- ROLLER CENTERS
- ROLLER SETTING IN FRAME
- LENGTH

Specify "SC" for Curve Section

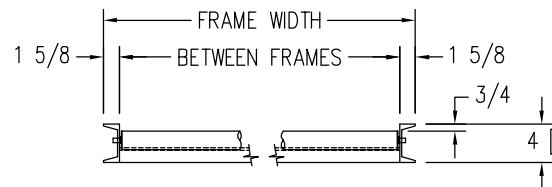
### Equipment Specifications

- Length:** Standard 5' & 10' sections
- Width:** Effective widths available from 6" to 52" (in 1" increments)
- Rollers:** 1.9" Diameter x 9 Gauge Wall
- Axles:** 7/16" Hex Axles, Spring Retained
- Centers:** 2-1/8", 3", 4-1/2", 6", 9" & 12"
- Capacity:** 540 lbs. per roller
- Bearings:** Integral labyrinth, sealed ball bearing, zinc plated, grease packed
- Frames:** 4 @ 5.4# Structural channel
- Supports:** Heavy duty, fabricated from 3" @ 4.1# channel legs 1-1/2 x 1-1/2 x 1/4 angle welded cross ties Adjustable foot, ± 2-1/2"
- Paint:** Alba standard blue

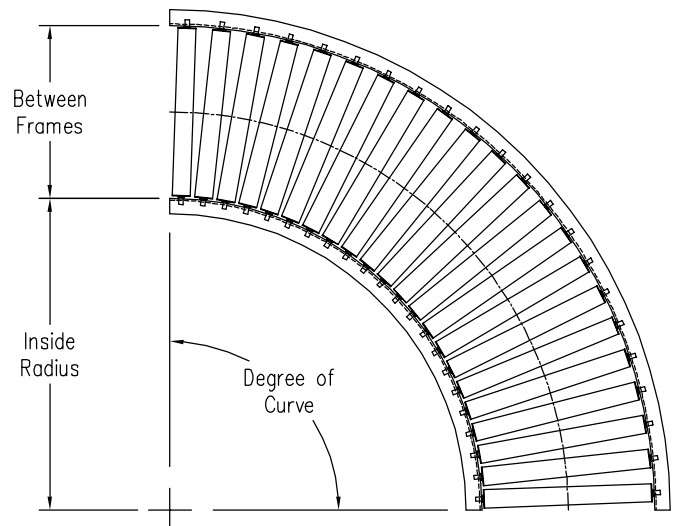
#### STANDARD Rollers set 1/8" high



#### OPTIONAL Rollers set 3/4" low

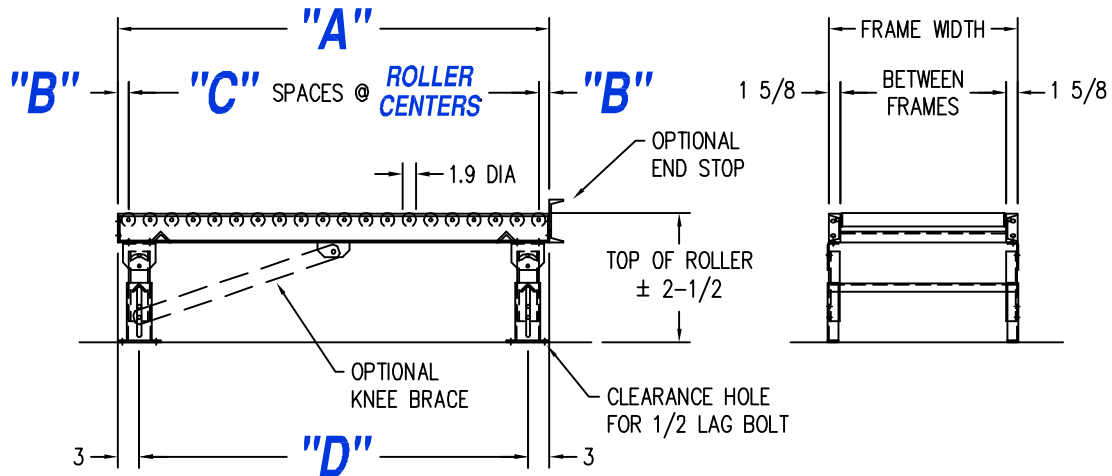
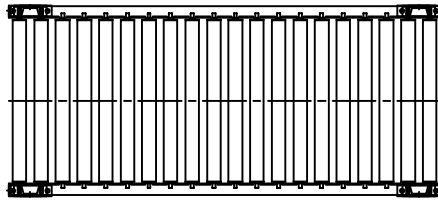


Between Frames	Inside Radius	90° Curve		45° Curve	
		Rollers Per Curve	Roller Pattern	Rollers Per Curve	Roller Pattern
13	32-1/2	22	Single	11	Single
15	32-1/2	22	Single	11	Single
17	32-1/2	22	Single	11	Single
19	32-1/2	22	Single	11	Single
21	32-1/2	22	Single	11	Single
23	32-1/2	41	Double	21	Double
25	32-1/2	41	Double	21	Double
27	48	41	Double	21	Double
31	48	40	Double	20	Double
33	48	40	Double	20	Double
37	48	40	Double	20	Double
39	48	40	Double	20	Double
43	48	40	Double	20	Double
51	48	40	Double	20	Double
54	48	40	Double	20	Double



# ALBA STANDARD GRAVITY ROLLER CONVEYOR (Model #199SS)

ROLLER CENTERS	"A"	"B"	"C"	"D"
2-1/8	59-1/2	1-1/16	(27) spaces	53-1/2
3	60	1-1/2	(19) spaces	54
4-1/2	58-1/2	2-1/4	(12) spaces	52-1/2
6	60	3	(9) spaces	54
9	54	4-1/2	(5) spaces	48-1/2
12	60	6	(4) spaces	54



ROLLER CENTERS	"A"	"B"	"C"	"D"
2-1/8	119	1-1/16	(55) spaces	56-1/2
3	120	1-1/2	(39) spaces	57
4-1/2	117	2-1/4	(25) spaces	55-1/2
6	120	3	(20) spaces	57
9	117	4-1/2	(13) spaces	55-1/2
12	120	6	(9) spaces	57

